

(1) SMR Code	(2) Federal Stock Number	(3) Description	(4) Unit of Meas.	(5) Qty	(6) 15-day Maintenance In Unit	(7) Organizational alw	(a) Illustration Figure No.	(b) Item No.
Reference number & mfg. code			Usable on code	(a)	(b)	(c)	(d)	
				1-5	6-20	21-50	51-100	
		0305-TURBOCHARGER						
KFOZZ		GASKET:TURBOCHARGER MOUNTING TO EXHAUST MANIFOLD 11641832 (19207)	AB	EA	1	(See Set 5330-460-2572)	25	1
PAOZZ	2990-856-2905	GASKET:TURBOCHARGER OIL INLET (COMPONENT OF GASKET SET, FSN 5330-460-2572) 7383446 (19207)	AB	EA	1	* * * *	25	2
PAOZZ	4730-925-8176	ADAPTER,STRAIGHT,TUBE: TURBOCHARGER OIL INLET 10951285 (19207)	AB	EA	1	* * * *	25	3
PAOZZ	5310-959-4675	WASHER,LOCK:3/8 NOM.SIZE, OIL INLET TUBE ADAPTER (2), TURBOCHARGER OIL DRAIN TUBE (2) MS35340-46 (96906)	AB	EA	4	* * * *	25	4
PAOZZ	5305-269-3210	SCREW,CAP,HEXAGON HEAD:3/8-16UNC-2A X 7/8 OIL INLET TUBE ADAPTER (2) TURBOCHARGER OIL DRAIN TUBE(2) MS90725-59 (96906)	AB	EA	4	* * * *	25	5
PAOZZ	4730-277-9730	SLEEVE: CLINCH TUBE OIL INLET TUBE TO ADAPTER 8165X8 (79470)	AB	EA	1	* * * *	25	6
PAOZZ	4730-278-5496	NUT,TUBE COUPLING :1/2 IN. TUBING,OIL INLET TUBE TO ADAPTER MS39210-6 (96906)	AB	EA	1	* * * *	25	7
PAOZZ	2990-925-3981	TUBE,BENT STEEL:OIL INLET 10951248 (19207)	AB	EA	1	* * * *	25	8
PAOZZ	4730-944-7048	ELBOW,PIPE TO TUBE: 90@,OIL INLET TUBE TO CRANKCASE MS39202-8 (96906)	AB	EA	1	* * * *	25	9
PAOZZ	4730-803-8368	CLAMP,HOSE: TURBOCHARGER TO INTAKE MANIFOLD HOSE 7748839-4 (19207)	AB	EA	2	* * * *	25	10
PAOZZ	4720-075-3328	HOSE,AIR DUCT,RUBBER:TURBOCHARGER TO INTAKE MANIFOLD ELBOW 10935282 (19207)	AB	EA	1	* * * *	25	11
PAOZZ	2990-856-2906	GASKET:TURBOCHARGER OIL DRAIN(COMPONENT OF GASKET SET, FSN 5330-460-2572) 7748858 (19207)	AB	EA	1	* * * *	25	12
PAOZZ	2990-925-3977	TUBE ASSEMBLY,METAL:TURBOCHARGER OIL DRAIN 109551247 (19207)	AB	EA	1	* * * *	25	13
PAOZZ	4730-277-8418	CLAMP,HOSE:OIL DRAIN HOSE TO TUBE 105475 (24617)	AB	EA	2	* * * *	25	14
PAOZZ	4720-924-6110	HOSE,NONMETALLIC:DRAIN TUBE TO ADAPTER 8357973 (19207)	AB	EA	1	* * * *	25	15
PAOZZ	4730-277-6851	ADAPTER,STRAIGHT,PIPE TO HOSE:TURBOCHARGER OIL DRAIN TUBE HOSE 7965281 (19207)	AB	EA	1	* * * *	25	16

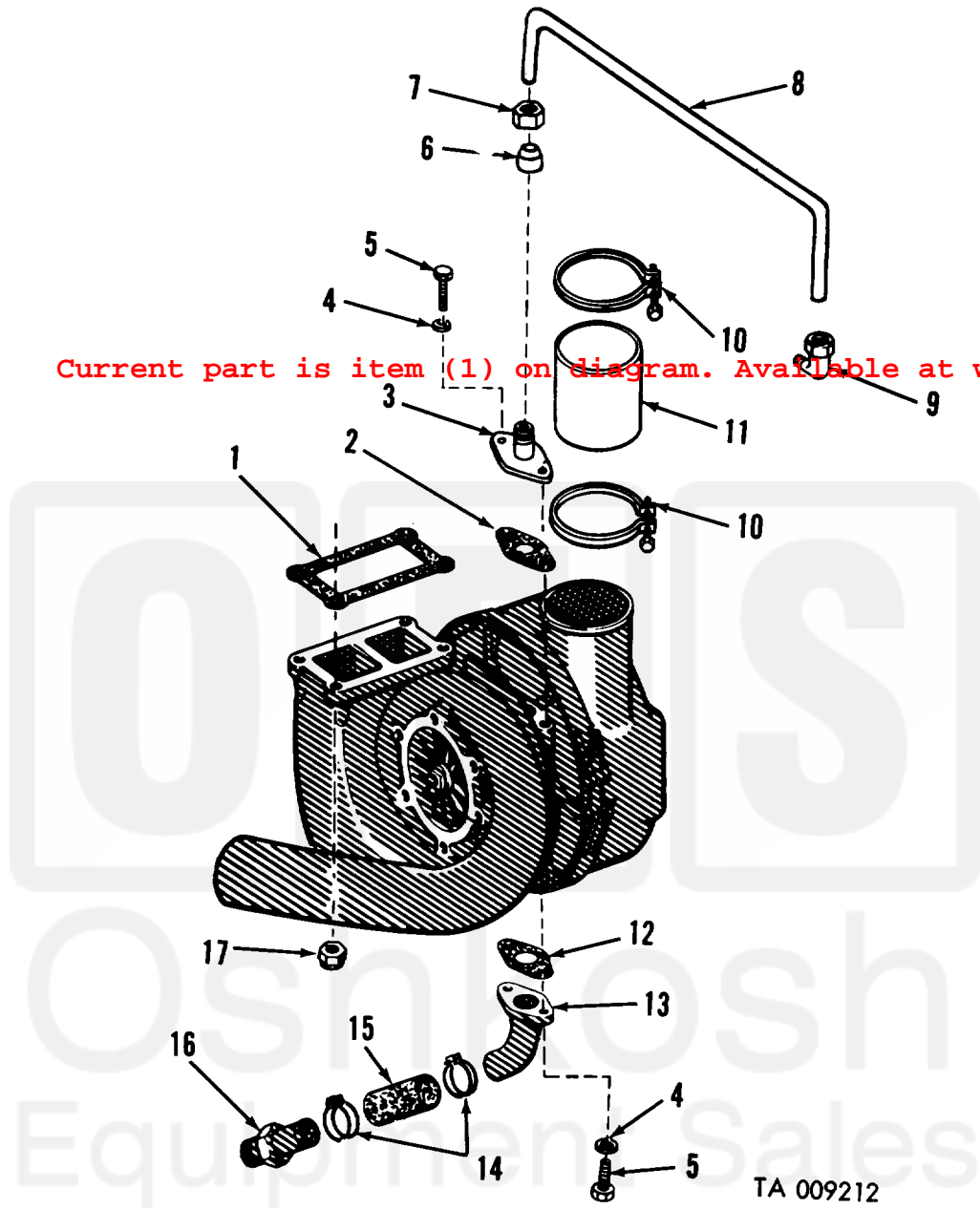


Figure 25. Turbocharger and related parts—multifuel.